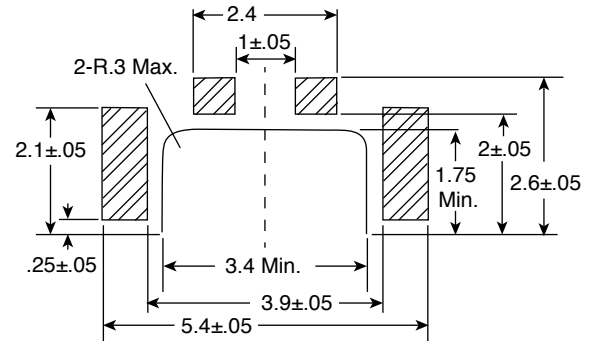
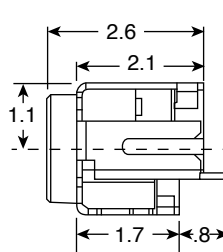
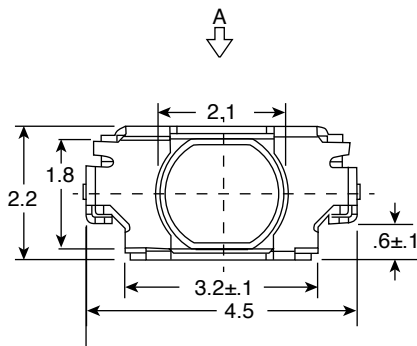
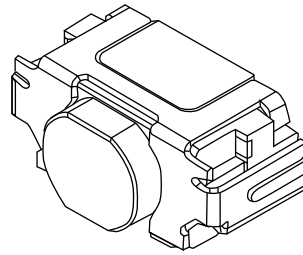
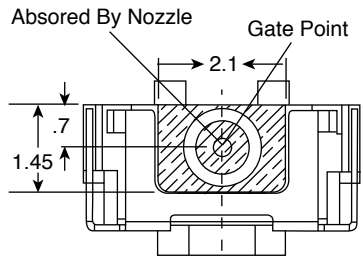
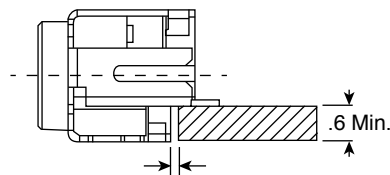
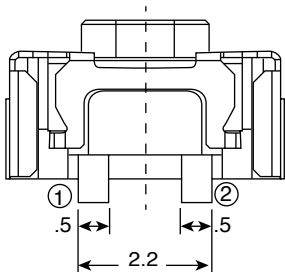


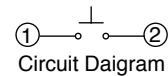
**DIMENSIONS: mm**



P.C.B Layout  
(View from the direction A)



Mount Position: Within .15mm from P.C.B edge



**Electrical Specifications:**

- Contact Resistance: 500 mΩ Max.
- Insulation Resistance: 100M Ω Min.
- Rating: 50mA / 12V DC

**Mechanical Specifications:**

- Storage Temperature: -40°C to 90°C
- Operating Temperature: -30°C to 85°C

**Note:**

- RoHS Compliant
- General Tolerances: ±.2mm

**Tactile Switch**  
101-TC2R-EV

